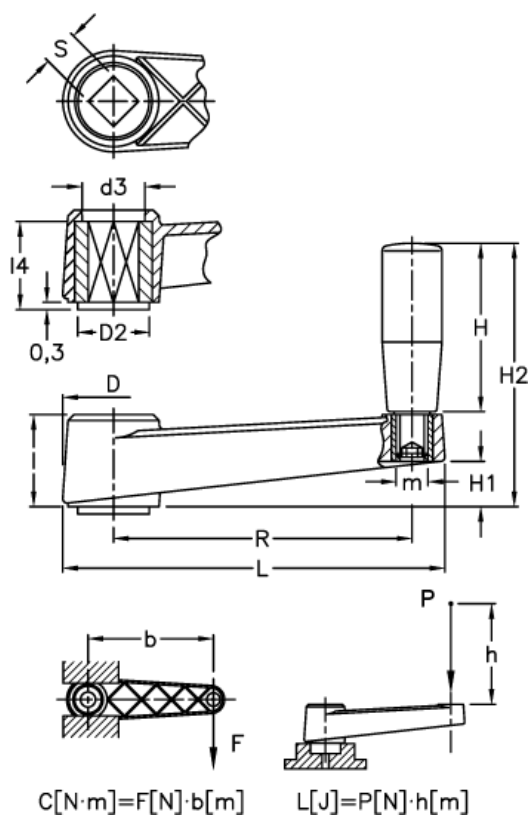


Data Sheet



Article number: 2301044052
 Description: E+G Crank handle
 MT.50 AS-6x6

Measures



C (N m) = 60	L = 69
D = 23	L(J) = 7
d2 = -	l4 = 18
d3 = 13	m = -
H = 28	R = 50
H1 = 10	S H9 = 6x6
H2 = 49	
l = 21	